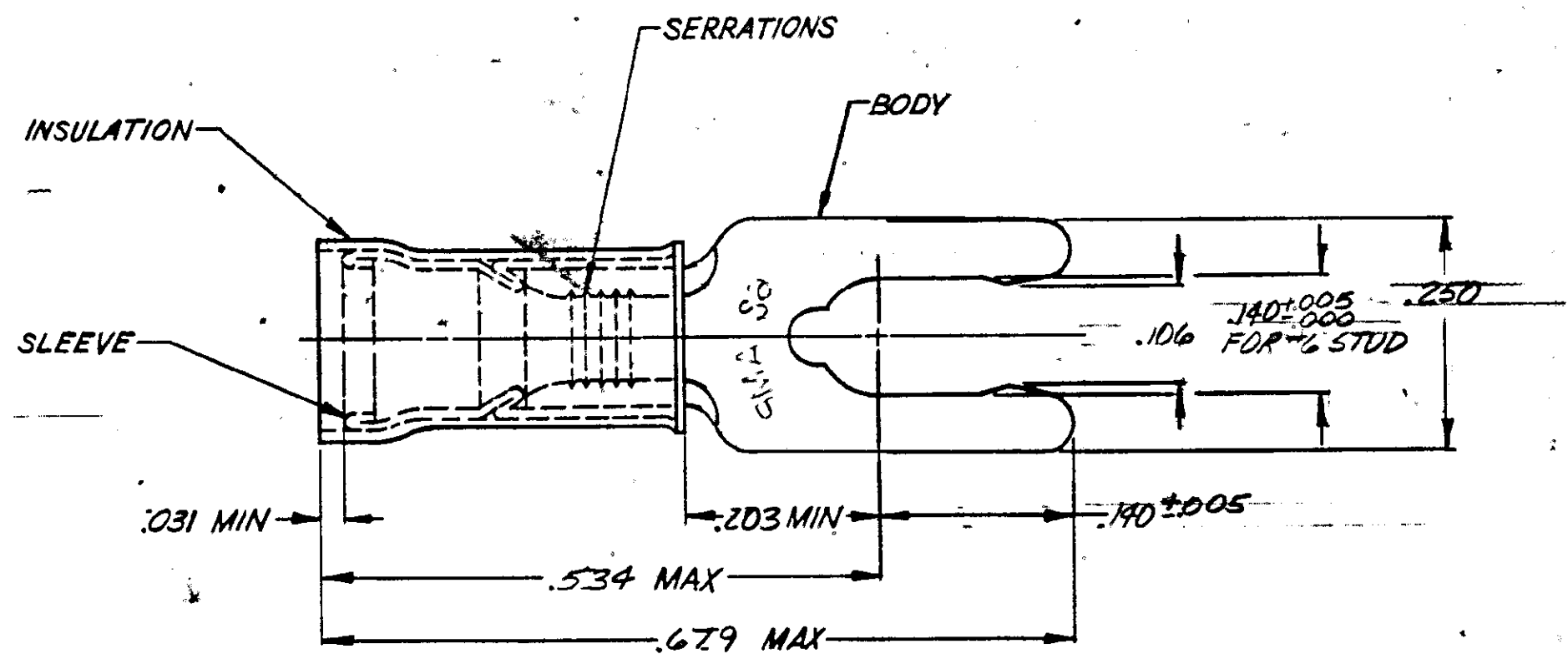


THIS DRAWING IS UNPUBLISHED. RELEASED FOR PUBLICATION . 19  
 © COPYRIGHT 19 BY AMP INCORPORATED, HARRISBURG, PA. ALL INTERNATIONAL RIGHTS RESERVED. AMP PRODUCTS MAY BE COVERED BY U.S. AND FOREIGN PATENTS AND/OR PATENTS PENDING.

REVISIONS						
P	F	ZONE	LTR	DESCRIPTION	DATE	APPROVED
✓	✓		C	RED'WN PBS-0447	1/1/85	PmE/ymm
	✓		D	REVISED G-3047-55	4-12-88	TGS/ J 1
			E	REV/0720-0049-93	3-17-93	TG / ME
			F	REV/0720-0835-95	3-29-94	ME / TM



1. TONGUE MATERIAL THICKNESS: .018 ±.002
2. FOR .050 TO .082 WIRE INSULATION DIA.

QTY	PACKAGE TYPE	PART NO
—	LOOSE PIECE	52924
4,000	ON TAPE, REEL	52924-1
100	LOOSE PC, BOX	8-52924-1

MATERIAL AND FINISH	PART NO
BODY: PHOSPHOR BRONZE QQ-B-750	8-52924-1
TIN PL MIL-T-10727	52924-1
SLEEVE: COPPER (ASTM B 152)	
TIN PL MIL-T-10727	52924
INSULATION: NYLON, COLOR: YELLOW	

UNLESS OTHERWISE SPECIFIED DIMENSIONS ARE IN INCHES. TOLERANCES ON: DECIMALS ±.008 ANGLES ±	CONTRACT NO	<b>AMP</b>   AMP INCORPORATED Harrisburg, Pa	
	DR <i>P. Forting 7-31-85</i>		
MATERIAL	CHK <i>P. Forting 8/1/85</i>	WIRE TERMINAL WIRE SIZE	
SEE TABLE	APPD <i>Stephen P. Nixon 1-1-85</i>	PIDG, SPRING SPADE 26-22	
FINISH	DSGN APPD	SIZE	FSCM NO
SEE TABLE	OTHER APPD	B	00779
		SCALE	DRAWING NO
		NTS	52924
			SHEET